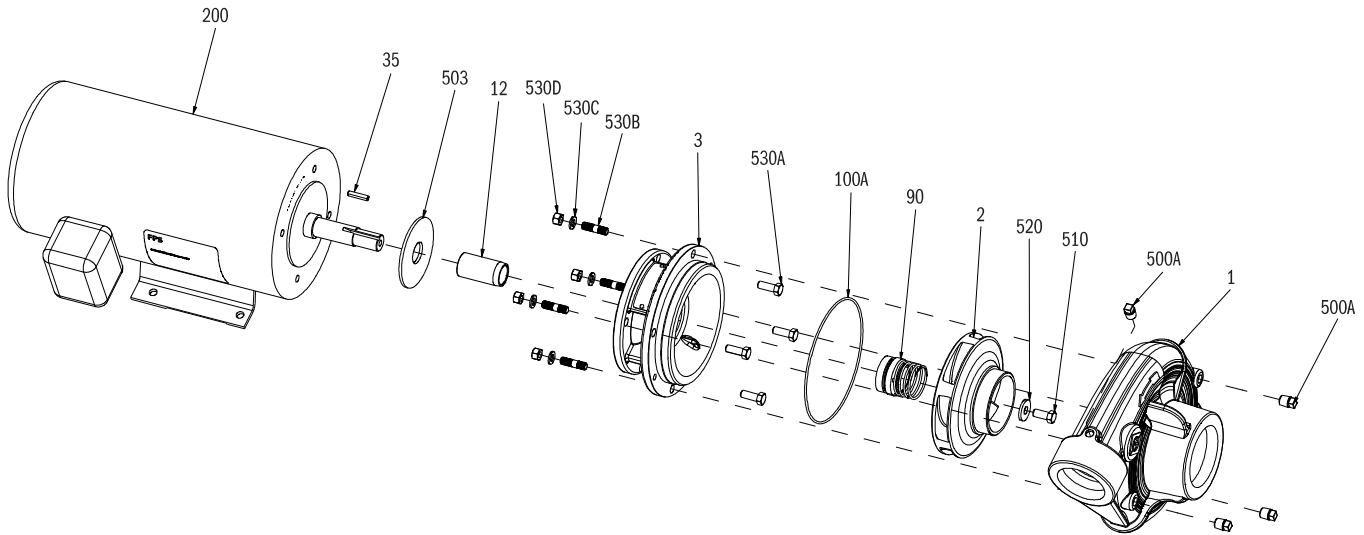


CENTRIFUGAL PUMPS

CLOSE-COUPLED AG SERIES

☰ MENU



Repair Parts	A2.5x3-6 (3600 RPM) AL2.5x3-6 (1800 RPM)		Mechanical Seal Construction		
	Figure No.	Part Description	Repair No. 4.5AK Models	Repair No. 8.5AK Models	Materials of Construction
1	Volute Case (NPT) w/plugs		305576001		Cast iron, ASTM-A48 CL30
Not Shown	Volute Case (Flange) w/plugs		305576002		Cast iron, ASTM-A48 CL30
2	Impeller, 3 hp 2-pole, 3.688" trim (.875 Bore)		305576003	n/a	CA6NM stainless steel
2	Impeller, 5 hp 2-pole, 4.250" trim (.875 Bore)		305576004	n/a	CA6NM stainless steel
2	Impeller, 7.5 hp 2-pole, 1 hp 4-pole, 4.813" trim (.875 Bore)		305576005		CA6NM stainless steel
2	Impeller, 10 hp 2-pole, 1.5 hp 4-pole, 5.375" trim (.875 Bore)		305576006		CA6NM stainless steel
2	Impeller, 15 hp 2-pole, 2 hp 4-pole, 6.438" trim (.875 Bore)		305576007		CA6NM stainless steel
3	Motor Bracket		305564005	305564008	Cast iron, ASTM-A48 CL30
12	Sleeve, Mechanical Seal		305463227		416 stainless steel
35	Key, Impeller Shaft		305463001		301 stainless steel
90	Mechanical Shaft Seal		305463002		Carbon/ceramic/nitrile/316 stainless steel
100A	O-Ring, Volute Case (2-pack)		305463004		Nitrile
500A	Pipe Plug (4-pack)		305463020		Zinc-plated steel
503	Slinger		305450007		Neoprene
510	Hex Cap Screw, Impeller		305463006		410 stainless steel
520	Washer, Impeller		305447009		300 series stainless steel
530A	Hex Cap Screw, Motor Bracket (12 Pack)		305463010	305463026	Zinc-plated steel
530B	Studs, Volute Case (4 Pack)		305463229		Zinc-plated steel
530C	Lockwashers, Volute Case (6 Pack)		305463135		Zinc-plated steel
530D	Nut, Volute Case		305463033		Zinc-plated steel

MOTOR FITMENT

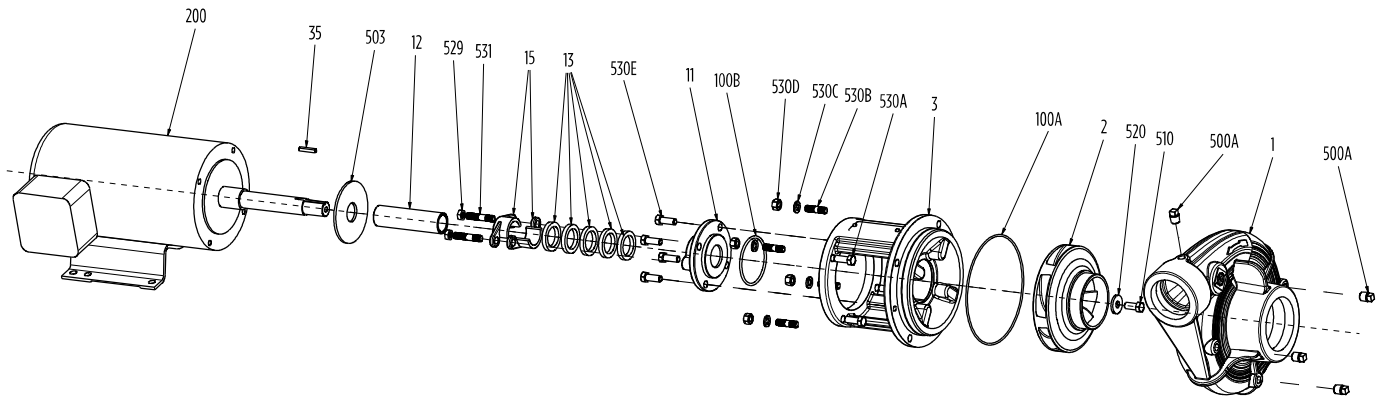
Figure No.	3600	1800	Frame	AK	Shaft Dia	Mtr Code
200	3 - 7.5HP	1 - 2HP	143-184JM	4.5	0.875	JM-1
	7.5 - 15HP	-	213-215JM	8.5	0.875	JM-2

Refer to motor specifications page for replacement information
 Motor Frame can be determined by the pump order number and or motor nameplate

CENTRIFUGAL PUMPS

CLOSE-COUPLED AG SERIES

☰ MENU



Repair Parts		A2.5x3-6 (3600 RPM) [Discontinued]		Packing Seal Construction	
Figure No.	Part Description	Repair No.		Materials of Construction	
		4.5AK Models	8.5AK Models		
1	Volute Case (NPT) w/plugs	305576001		Cast iron, ASTM-A48 CL30	
Not Shown	Volute Case (Flange) w/plugs	305576002		Cast iron, ASTM-A48 CL30	
2	Impeller, 3 hp 3.688" trim (.875 Bore)	305576003	N/A	CA6NM stainless steel	
2	Impeller, 5 hp 4.250" trim (.875 Bore)	305576004	N/A	CA6NM stainless steel	
2	Impeller, 7.5 hp 4.812" trim (.875 Bore)	305576005	N/A	CA6NM stainless steel	
2	Impeller, 7.5 hp 3ph 4.812" trim (1.250 Bore)	N/A	305576009	CA6NM stainless steel	
2	Impeller, 10 hp 6.000" trim (1.250 Bore)	N/A	305576010	CA6NM stainless steel	
2	Impeller, 15 hp 6.438" trim (1.250 Bore)	N/A	305576011	CA6NM stainless steel	
3	Motor Bracket	305564006	305564009	Cast iron, ASTM-A48 CL30	
11	Packing Seal Box	305447004	305448005	Cast iron, ASTM-A48 CL30	
12	Sleeve, Shaft	305448006	305450004	416 stainless steel	
13	Packing Ring Set	305447006	305448009	Graphite/cotton	
14	Lantern Ring	N/A	305448010	Teflon	
15	Packing Gland (2-Piece)	305447007	305448011	316 stainless steel	
35	Key, Impeller Shaft	305463001	305448012	301 stainless steel	
100A	O-Ring, Volute Case (2-pack)	305463004		Nitrile	
100B	O-Ring, Seal Box (2-pack)	305463003	305463013	Nitrile	
500A	Pipe Plug (4-pack)	305463020		Zinc-plated steel	
502	Grease fitting	N/A	305463015	Zinc-plated steel	
503	Slinger	305450007	305447008	Neoprene	
510	Hex Cap Screw, Impeller	305463006	305463024	410 stainless steel/17-4 stainless steel	
520	Washer, Impeller	305447009	305463263	300 series stainless steel	
529	Nut, Packing Gland (4-pack)	305463007		Zinc-plated steel	
530A	Hex Cap Screw, Motor Bracket (12 Pack)	305463010	305463016	Zinc-plated steel	
530B	Stud, Volute Case (4 Pack)	305463229		Zinc-plated steel	
530C	Lockwashers, Volute Case (6 Pack)	305463135		Zinc-plated steel	
530D	Nut, Volute Case	305463033		Zinc-plated steel	
530E	Hex Cap Screw, Seal Box (12-pack)	305463010		Zinc-plated steel	
531	Stud, Packing Gland (4-pack)	305463008		Zinc-plated steel	

MOTOR FITMENT

Figure No.	3600	1800	Frame	AK	Shaft Dia	Mtr Code
200	7.5HP	1 - 3HP	143-184JM	4.5	0.875	JM-1
	7.5 - 15HP	-	213-215JM	8.5	0.875	JM-2
	20HP	-	254-256JM	8.5	1.25	JM-3

Refer to motor specifications page for replacement information
 Motor Frame can be determined by the pump order number and or motor nameplate

CENTRIFUGAL PUMPS

CLOSE-COUPLED AG SERIES

☰ MENU

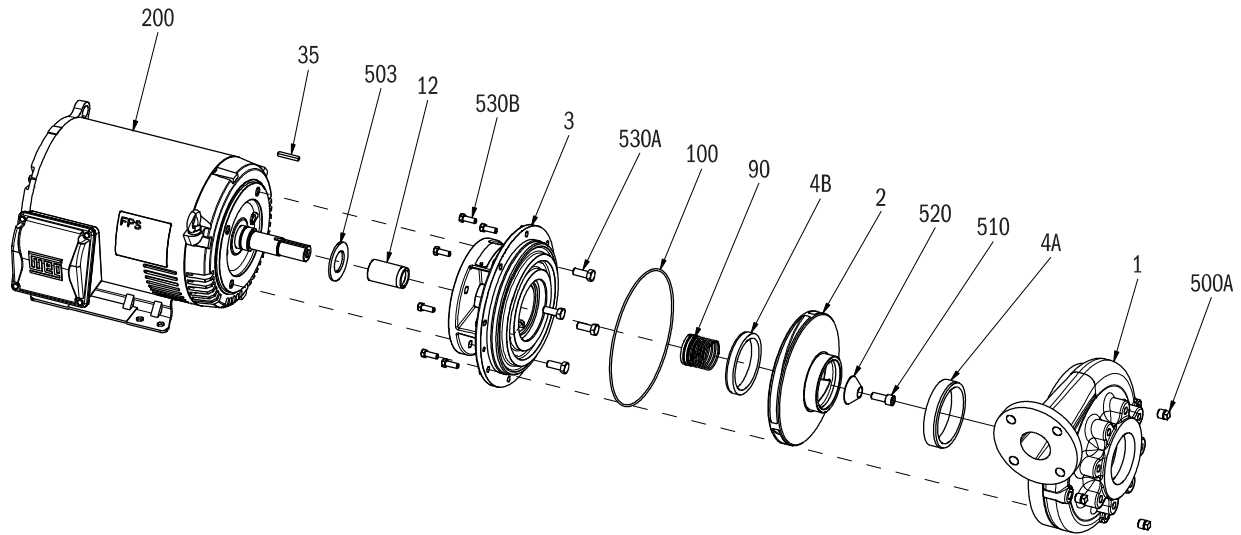


Figure No.	Part Description	Repair No.				Materials of Construction
		4.5AK Models		12.5AK Models		
		213-215JM	254-256 Frame			
1	Volute Case, Flange w/plugs	305411908				Cast iron, ASTM-A48 CL30
not shown	Volute Case, NPT w/plugs	305411940				Cast iron, ASTM-A48 CL30
2	Impeller, 3 hp 4-pole, 8.000" trim (.875" bore)	305410985	N/A	N/A	N/A	CA6NM stainless steel
2	Impeller, 5 hp 4-pole, 9.000" trim (.875" bore)	305410986				CA6NM stainless steel
2	Impeller, 20 hp 2-pole, 7.375" trim (1.250 bore)	N/A	N/A	305410941	N/A	CA6NM stainless steel
2	Impeller, 25 hp 2-pole, 8.000" trim (1.250 bore)	N/A	N/A	305410938	N/A	CA6NM stainless steel
2	Impeller, 30 hp 2-pole, 8.375" trim (1.250 bore)	N/A	N/A	N/A	305410942	CA6NM stainless steel
2	Impeller, 40 hp 2-pole, 9.000" trim (1.250 bore)	N/A	N/A	N/A	305410939	CA6NM stainless steel
3	Motor Bracket	305411954	305411941	305411942	305411943	Cast iron, ASTM-A48 CL30
4A	Wear Ring, Volute	305417905				SAE 660 Bronze
4B	Wear Ring, Bracket	305417924				SAE 660 Bronze
12	Shaft Sleeve	305463248		305463249		416 stainless steel
35	Key, Impeller Shaft	305463001		305463150		316 stainless steel
90	Mechanical Shaft Seal	305463002		305463012		Carbon/ceramic/nitrile/316 stainless steel
100A	O-Ring, Volute Case (2-Pack)	305418925				Nitrile
500A	Pipe Plug (4-pack)	305463175				Zinc-plated steel
503	Water Slinger	305450007		305447008		Neoprene
510	Hex Cap Screw, Impeller	305463250		305463024		410 stainless steel/17-4 stainless steel
520	Washer, Impeller	305447009		305463269		416 stainless steel
530A	Hex Cap Screw, Motor Bracket (12-Pack)	305463053	305463016		305418918	Zinc-plated steel
530B	Hex Cap Screw, Volute Case (4-Pack)	305463010				Zinc-plated steel

MOTOR FITMENT

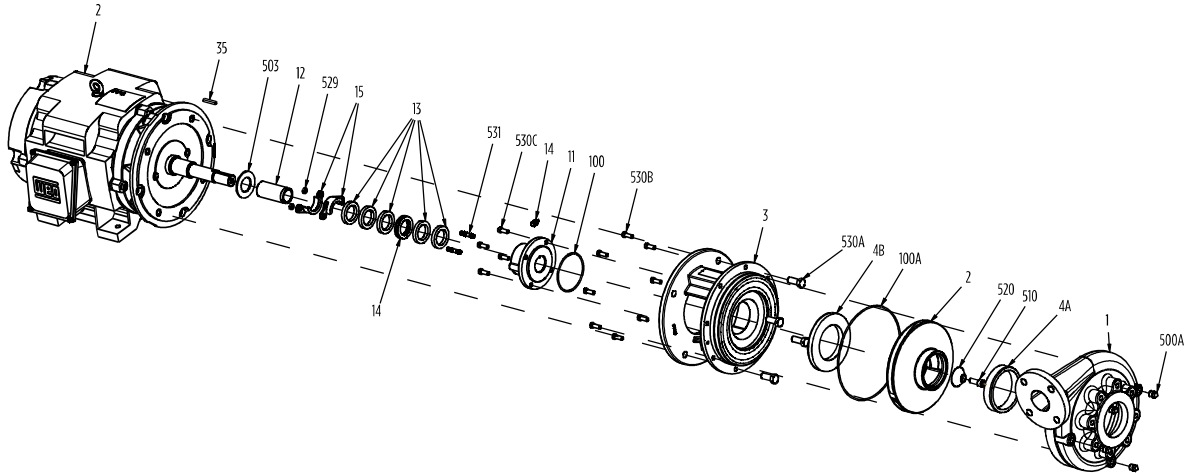
Figure No.	3600	1800	Frame	AK	Shaft Dia	Mtr Code
200	-	3 - 5HP	143-184JM	4.5	0.875	JM-1
	-	5HP	213-215JM	8.5	0.875	JM-2
	20 - 25HP	-	254-256JM	8.5	1.25	JM-3
	25 - 40HP	-	284-326JM	12.5	1.25	JM-4

Refer to motor specifications page for replacement information
 Motor Frame can be determined by the pump order number and or motor nameplate

CENTRIFUGAL PUMPS

CLOSE-COUPLED AG SERIES

☰ MENU



Repair Parts		A2.5x4-10 (3600 RPM) [Discontinued]		Packing Seal Construction	
Figure No.	Part Description	Repair No.		Materials of Construction	
		8.5AK Models	12.5AK Models		
not shown	Volute Case, Flange w/plugs	305411908		Cast iron, ASTM-A48 CL30	
1	Volute Case, NPT w/plugs	305411940		Cast iron, ASTM-A48 CL30	
2	Impeller, 15 hp 7.00" trim (1.250 bore)	305410937	n/a	CA6NM stainless steel	
2	Impeller, 20 hp 7.38" trim (1.250 bore)	305410941	n/a	CA6NM stainless steel	
2	Impeller, 25 hp 8.00" trim (1.250 bore)	305410938		CA6NM stainless steel	
2	Impeller, 30 hp 8.38" trim (1.250 bore)	n/a	305410942	CA6NM stainless steel	
2	Impeller, 40 hp 9.00" trim (1.250 bore)	n/a	305410939	CA6NM stainless steel	
3	Motor Bracket	305412902	305412906	Cast iron, ASTM-A48 CL30	
4A	Wear Ring	305417905		SAE 660 Bronze	
4B	Wear Ring	305417923		SAE 660 Bronze	
11	Packing Seal Box	305448005		Cast iron, ASTM-A48 CL30	
12	Shaft Sleeve	305448006		416 stainless steel	
13	Packing Ring Set	305448009		Graphite/cotton	
14	Lantern Ring	305448010		Teflon	
15	Packing Gland (2-Piece)	305448011		316 stainless steel	
21	Packing Gland Assembly	305411936		Various	
35	Key, Impeller Shaft	305463150		301 stainless steel	
100	O-Ring, Packing Seal Box	305463013		Nitrile	
100A	O-Ring, Volute Case 2-pack	305418925		Nitrile	
500A	Pipe Plug (4-pack)	305463175		Zinc-plated steel	
502	Grease Fitting (2-pack)	305463015		Zinc-plated steel	
503	Water Slinger	305447008		Neoprene	
510	Hex Cap Screw, Impeller	305463024		17-4 stainless steel	
520	Washer, Impeller	305463269		300 series stainless steel	
529	Nut, Packing Gland (4-pack)	305463007		Zinc-plated steel	
530A	Hex Cap Screw, Motor Bracket	305463016	305418918	Zinc-plated steel	
530B	Hex Cap Screw, Volute Case (12-Pack)	305463010		Zinc-plated steel	
530C	Hex Cap Screw, Seal Box (12-Pack)	305463010		Zinc-plated steel	
531	Stud, Packing Gland (4-pack)	305463008		Zinc-plated steel	

MOTOR FITMENT

Figure No.	3600	Frame	AK	Shaft Dia	Mtr Code
200	20 - 25HP	254-256JP	8.5	1.25	JP-2
	25 - 40HP	284-326JP	12.5	1.25	JP-3

Refer to motor specifications page for replacement information
 Motor Frame can be determined by the pump order number and or motor nameplate